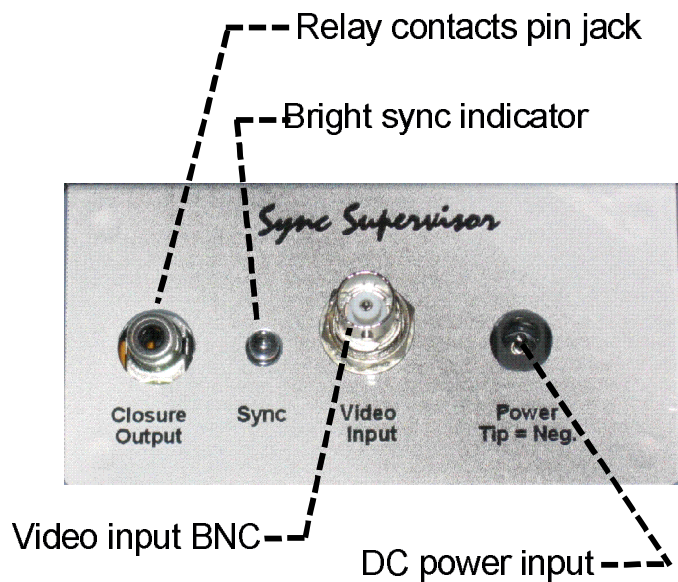


# Sync Supervisor

Composite Sync  
Confidence Monitor



Stackley Devices, L.L.C. P.O. Box 768  
Hightstown, NJ 08520  
On line at: [www.stackleydevices.com](http://www.stackleydevices.com)  
Email: [joe@stackleydevices.com](mailto:joe@stackleydevices.com)



Size: 1.75 in. x 4 in. x 2 in. plastic housing

The *Sync Supervisor* is designed to monitor an NTSC analog composite video signal, extract the sync and use the continued presence of the sync signal to operate a set of holding relay contacts. Internal circuitry provides hysteresis so the contacts don't chatter. The device will not false trigger on wideband noise, such as the noise that is present on the video output of demodulators when the RF carrier is turned off or when the demod is tuned to an unused TV channel. *Sync Supervisor* is handy for unattended or unmonitored video system operation - its relay contacts remain closed on sync presence and this closure can be used to send a tally to a transmitter remote control system, operate a pre-programmed phone dialer or activate an alarm in a studio or master control area.

#### Specifications

Relay contacts pin jack:

2-conductor phono pin jack, floating.

Relay contacts:

1 set of dry Form C contacts, holding.

Rated at 30 VDC, 1 A. maximum.

Time delay on sync absence/presence:

<100 milliseconds.

Sync indicator:

Bright LED, continuous with relay contacts.

Video input:

Metal BNC jack.

Impedance:

2,500 ohms.

Power input:

9 to 28 VDC @ 100 mA minimum.

Coaxial power jack, Tip = Negative.

Power supply cube included.